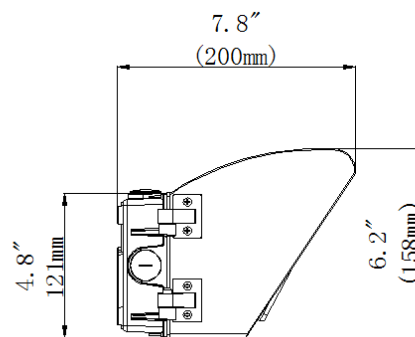
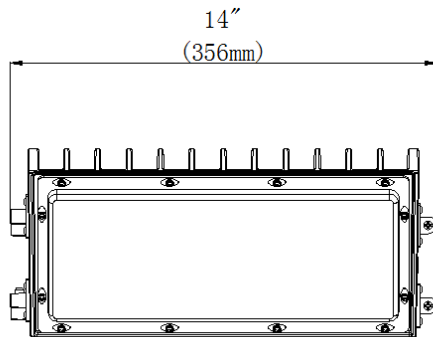


LED Wall Packs with new optics increase light output and efficacy to reduce shadows and create safe, brightly-lit outdoor environments in parking garages and entrances, public areas, schools, hospitals, hotels and outdoor walkways nationwide.

These LED fixtures are energy-efficient replacements for 100 to 400 watt metal halide fixtures, and are rebatable and save energy, lower maintenance costs, and prevent light pollution.

DesignLights Consortium®-qualified models are available.



Part Number	Equivalent	Wattage	Color	Lens	Life (Hours)	Wty (Yrs)	Lumens	Ballast	Std Pack	DLC/ES #
WSD-WPO2W27-50K-D-P	100W MH	20W	5000K	Striated	50,000	5	2421.6	N	1	PIKKGU8S
U-HWP45W2750KP	175W MH	45W	5000K	Striated	50,000	5	4950	N	1	PIK2HEPM
U-HWP07W2750KP	250W MH	70W	5000K	Striated	50,000	5	7200	N	1	PMRNCPKS
U-HWP10W2750KP	400W MH	100W	5000K	Striated	50,000	5	11000	N	1	P5RTDQ36

