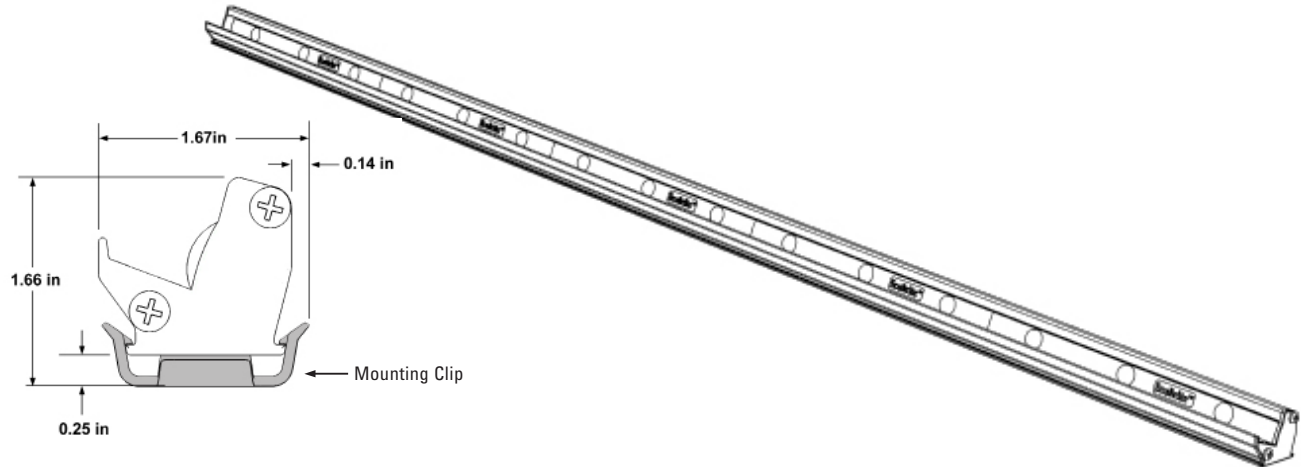


R-SERIES

733/734


ENDLITE REFRIGERATION VERTICAL DOOR LIGHTING

The R-Series LED reach-in door EndLite fixtures utilize patented Precision Optical Performance technology for efficient light distribution across the entire door. The R-series works great on new OEM cases or as a seamless retro-fit of the existing fluorescent lighting.

PRODUCT DETAILS

Intended Use

The R-Series LED EndLite refrigeration vertical door lights are designed for new OEM cases or retrofit projects.

Construction & Materials

High quality aluminum rail incorporating heat sink technology, shatter proof optics, high impact resistant mounting clips.

Optical System

Patented Precision Optical Performance (P.O.P.) technology. EndLite optics diffuse the light evenly to the center of the door from top to bottom.

Electrical System

Class 2 low voltage power supply; Input voltage 120V-277V

Installation

Quick and easy installation using the mounting clips provided. Light weight of the luminaire facilitates an easy and cost-effective install.

Listings

UL Listed
RoHS Compliant
NSF Listed
DLC Qualified

Warranty

The R-Series LED lighting products come with a five year warranty for parts manufactured and furnished by Innovative Lighting, LLC. Standard terms and conditions apply.



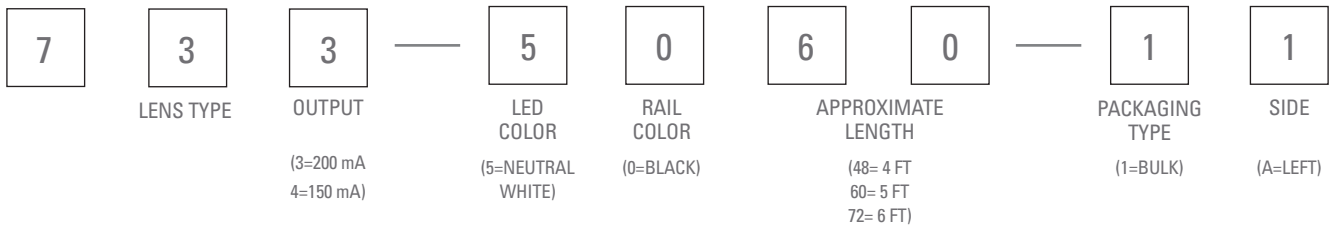
SPEC INFORMATION

Part Number	Number of LEDs	CRI (nominal)	Color temperature	Efficacy	Average L70 Life (hrs)	Dimensions	Input Weight	Energy (Watts)	Lumens (typical)
733-5072-1/1A ¹	19	70	4100 K	50 lm/W	120,000	68.25"L 1.53"W 1.4"D	3.6 lbs	18.0	800
733-5060-1/1A	15	70	4100 K	51.1 lm/W	120,000	57"L 1.53"W 1.4"D	3.0 lbs	15.2	665
733-5048-1/1A ¹	12	70	4100 K	50 lm/W	120,000	45.75"L 1.53"W 1.4"D	2.4 lbs	12.4	530
734-5072-1/1A	18	75	4000 K	46.8 lm/W	120,000	68.25"L 1.53"W 1.4"D	3.6 lbs	14.2	600
734-5060-1/1A	15	75	4000 K	46.3 lm/W	120,000	57"L 1.53"W 1.4"D	3.0 lbs	12.0	500
734-5048-1/1A ¹	12	75	4000 K	46 lm/W	120,000	45.75"L 1.53"W 1.4"D	2.4 lbs	9.7	400

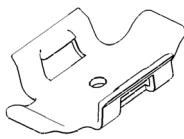
1: Estimated values

2: Efficacy values are for 750-50XX-4-2 2 Door Kits consisting of one 750-50XX-1 center fixture, one 733-50XX-1 right side fixture, one 733-50XX-1A left side fixture, and one 750-9995-1 power supply; and for 751-50XX-4 1 Door Kits consisting of one 734-50XX-1 right side fixture, one 734-50XX-1A left side fixture, and one 750-9995-1 power supply.

PART NUMBER INFORMATION



Power Supply
Regulated Class 2 60W/12V
750-9995-1



Mounting Clip
730-9910-1

Notes:

- 734-5072-1/1A and 734-5060-1/1A are DLC Qualified for a 120V input voltage when used as part of a 751-50XX-4-N Vertical Door Kit

