



OUTDOOR LED LIGHT ENGINE

The Outdoor LED light engine utilizes patented optics and reflector technology for efficient light distribution. The Outdoor LED light works in a variety of new luminaire housings or as a seamless retrofit for existing luminaire housings.

Intended Use

The Outdoor LED light engine is designed for new light fixtures or retrofit projects. Applications include roadway, parking lot (shoebox and cobra heads), canopy, parking garage and general area lighting for commercial/industrial. Suitable for indoor and outdoor applications.

Construction & Materials

Heavy duty, corrosion resistant, precision die cast aluminum chassis with heat sink technology. High impact acrylic lens, and tool-less entry.

Optical System

Patented optics redirect house side light efficiently and consistently into target illumination area.

Electrical System

Universal input voltage 120V-277V. 480V available upon request. Has 0-10V dimming capabilities.

Installation

Quick and easy installation using the provided adaptor plates.

Certifications and Endorsements

DLC Qualified
PG&E Qualified
SCE Qualified
Int'l Dark Sky Assoc. Approved

Independent Performance Tests

Photometrics (LM-79)
Thermal Management (LM-80)
Safety (UL 8750/1598, CSA C22.2)
Corrosion (ASTM-B117)
Ingress Protection (IP-66)
Pole Vibration (ANSI-C136.3)
Mechanical Stress
Surge Protection (IEEE C62.45)
Transient Protection (IEEE C62.41)
Noise (Class A, FCC 47CFR-15B)

Warranty

The Outdoor LED light engine chassis/housing comes with a 10 year warranty. The power supplies and LEDs come with a 5 year warranty. Standard terms and conditions apply.



MADE IN THE USA



InnovativeLight.com

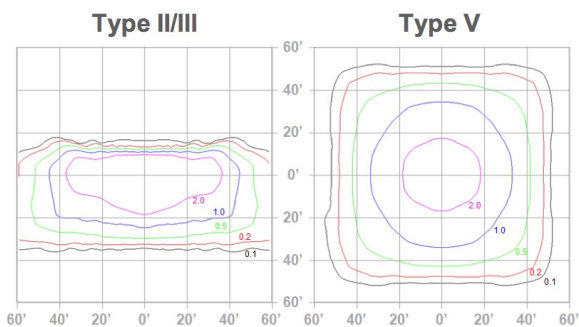
1-0-111414

SPEC INFORMATION

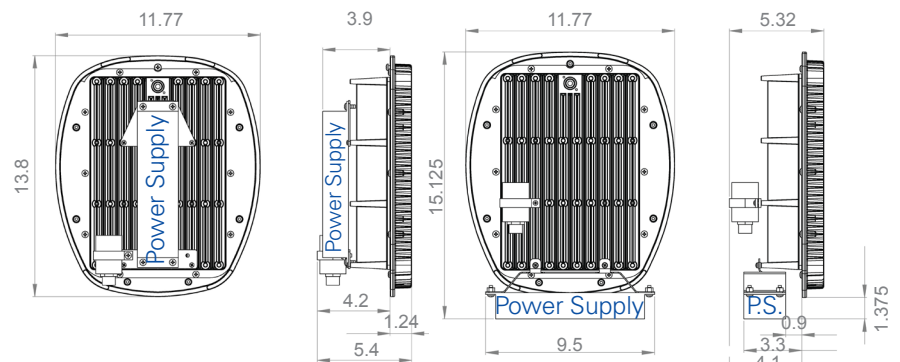
Model	CRI (typical)	Drive Current (mA)	BUG Ratings (IESTM-15-11)	Input Power (w)	Input Current (120 v)	Input Current (240 v)	Average Life (hrs)	Types II/III		Type V	
								Delivered Lumens	Efficacy	Delivered Lumens	Efficacy
28	>70	350	B1-U0-G1	31	0.259A	0.130A	100,000	2,353	76 lm/w	2,741	88 lm/w
28	>70	525	B1-U0-G1	48	0.396A	0.198A	100,000	3,249	68 lm/w	3,862	79 lm/w
42	>70	350	B1-U0-G1	45	0.373A	0.186A	100,000	3,446	77 lm/w	3,956	88 lm/w
42	>70	525	B1-U0-G1	68	0.570A	0.285A	100,000	4,775	70 lm/w	5,539	80 lm/w
63	>70	350	B1-U0-G1	65	0.543A	0.272A	100,000	4,984	76 lm/w	6,062	94 lm/w
63	>70	525	B2-U0-G2	99	0.826A	0.413A	100,000	6,882	69 lm/w	8,422	84 lm/w
90	>70	350	B2-U0-G1	91	0.761A	0.380A	100,000	6,365	70 lm/w	7,375	82 lm/w
90	>70	525	B2-U0-G2	140	1.133A	0.567A	100,000	10,099	72 lm/w	13,408	93 lm/w

Input voltage 120-277 VAC; 480V also available, Operating frequency 50-60 Hz, Power factor > 0.90; THD < 20%

PRODUCT DIAGRAMS



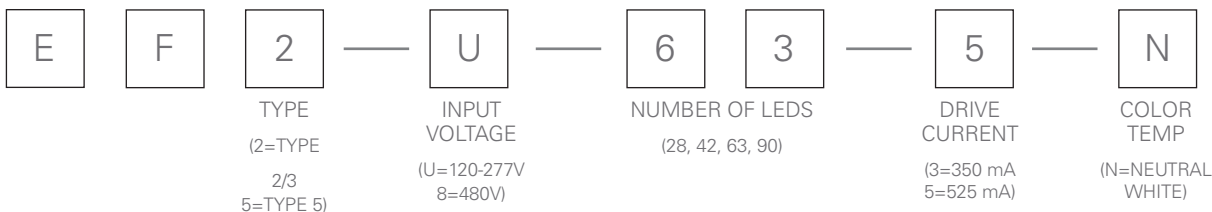
Gridlines represent units of mounting height, values based on 20 ft mounting height.



Top mount power supply configuration.

Back mount power supply configuration.

PART NUMBER INFORMATION



Notes:

- Over 170 adaptor plates available, as well as custom plates.
- Unit comes with quick disconnects and safety cable.
- Other LED color temperatures available upon request.
- Bi-Level and OCC sensor options available.



One of many available adaptor plates.