

Installation Guide

For EcoBrite™ Warehouse LED Light Fixtures



BEFORE YOU BEGIN INSTALLATION

Read these instructions carefully. Failure to follow these instructions will invalidate the warranty on this product.



WARNING

Risk of electrical shock. Disconnect power before installing or servicing product.



CAUTION

Use caution when handling a power tool. Always wear protective eyewear.

Thank you for purchasing EcoBrite Warehouse LED Light Fixtures. There are multiple methods for mounting the fixtures based on the available structure. Please read the instructions completely before installation.

Standard Surface Mount

Required tools and components

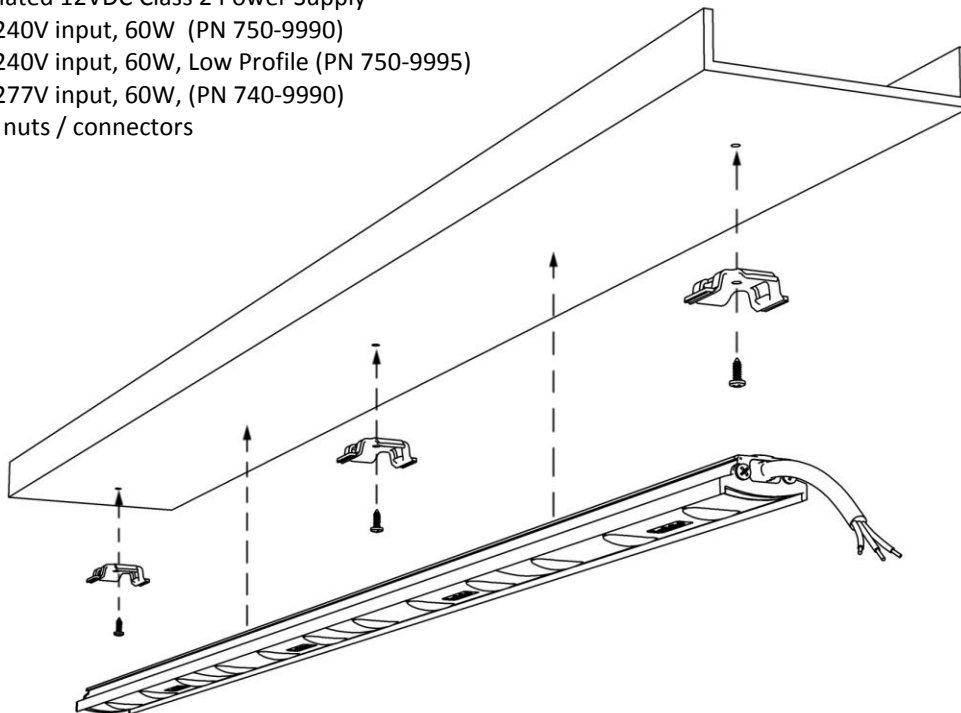
1. #8 x 1/2" sheet metal screws
-pan head or hex head
2. Tape measure
3. Pencil
4. Drill
5. Phillips screw bit or screwdriver
6. 1/8" drill bit
7. Regulated 12VDC Class 2 Power Supply
100-240V input, 60W (PN 750-9990)
100-240V input, 60W, Low Profile (PN 750-9995)
100-277V input, 60W, (PN 740-9990)
8. Wire nuts / connectors

Included Parts

- Warehouse LED Light Fixture HB (PN 740-XXXX)
or
Warehouse LED Light Fixture Super HB(PN 742-XXXX)

Accessories

- Mounting Clips
(PN 750-9910)



Procedure:

1. Mark locations of holes
 - a. 2 Mounting clips are required for each EcoBrite Lamp. A 3rd mounting clip is optional.
 - b. Mounting clips should be about 50" – 60" apart (when using 2).
 - c. Be sure that the holes are all in-line with each other
2. Drill pilot holes with 1/8" drill bit
3. Use Phillips driver to fasten the clips in place
4. Snap the light fixture in place

***Note:** Drilling holes in "I" beams or any other load-bearing structure is not recommended

I Beam/ Hanging Mount:

Required tools and components

1. 7/16" wrench
2. Pliers
3. Tape measure
4. Studded Cables (one per mounting clip)
5. Cable Hangers (one per mounting clip)
6. Beam Clamps (one per mounting clip)
7. 3/16" X 2" Clevis Pin (one per mounting clip)
8. Regulated 12VDC Class 2 Power Supply (PN 750-9990)
9. Wire nuts / connectors
10. 12 gauge wire

Included Parts

- Warehouse Light Fixture (PN 740-XXXX)

Accessories

- Mounting Clips (PN 750-9910)

Procedure:

1. Insert Clevis Pin into mounting clip hole
 - 2 beam hanger assemblies are required for each EcoBrite Lamp.
 - Beam hanger assemblies should be about 50" – 60" apart.
2. Thread the free end of the cable hanger through the hole in the clevis pin. Secure the cable end in the clasp according to the manufacturer's instructions.
3. Fasten the other end of the cable hanger to the beam clamp then fasten the beam clamp to the beam according to the manufacturer's instructions.
4. Repeat steps 1-3 for the second beam hanger assembly and snap the light fixture to both mounting clips.



Beam hanger assemblies should be hung vertically. If suspended at an angle, load capacity will be reduced.



***Note:** This is one of several mounting methods. This and other mounting hardware can be found through these manufacturers:

<http://www.rize-enterprises.com/>

<http://www.gripple.com/>

<http://www.erico.com/>

Wiring Information:



- Lights must be connected to a **Regulated, 12V DC, Class 2 power supply** to operate. Use wire nuts or appropriate wire connectors.
- **Two 6' 740-XXXX** light fixtures or **one 6' 742-XXXX** light fixture may be powered by one power supply.
- **12 gauge wire** is recommended for extended wiring. **Do not exceed 60 ft.** If **18 gage wire** is used, **do not exceed 15 ft.**

Red Wire - Connect to (+) positive output of the 12V DC power supply.

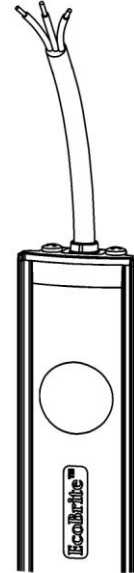
Green/Yellow wire - Connect to (-) negative output of the 12V DC power supply.

Optional Dimming Control:

Connect the **Blue** wire to the output of a "Normally Closed" isolated relay controlled by an occupancy sensor. Connect the input of this relay to the (+) positive output of the 12V DC power supply. The light is dimmed when the blue wire receives +12V DC with respect to the green/yellow wire. **Protect wire end with a wire nut if not in use.**

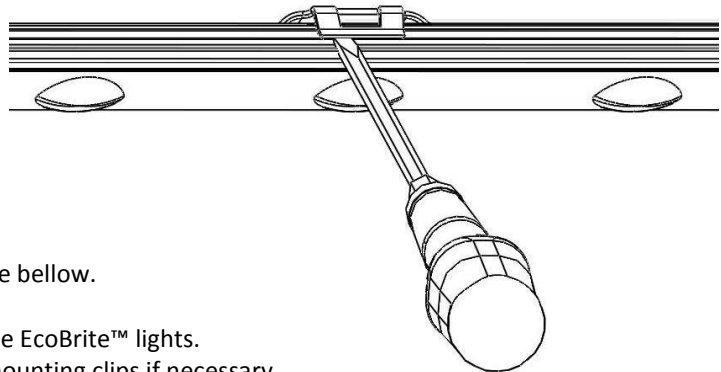


All wiring must be in compliance with NEC and local codes. This light fixture is suitable for damp locations. When used in a damp location, ensure that all connection points are sealed for damp location using the appropriate method per the NEC or local electrical code.



Removal Information

If you need to remove the light fixture, place a slotted screwdriver between the rail and the side of the clip. Gently press the screwdriver handle towards the light to release the light. Do this for all clips. Refer to the image below.



Cleaning

If the lights require cleaning, follow the procedure below.

- Switch off or disconnect the power to the EcoBrite™ lights.
- Remove the EcoBrite™ lights from the mounting clips if necessary.
- Wipe surfaces with a clean, soft cloth lightly dampened in a mixture of warm water and mild dish soap.
- Wipe surfaces again with a clean, soft cloth lightly dampened in warm water.
- Dry all surfaces completely with a clean, soft cloth.
- Reattach the lamp to the mounting clips and switch on/reconnect power.



Do not use abrasive cleaners, scouring pads, or paper towels to clean or dry the lamp. Do not use bleach, alcohol, or other chemicals to clean the lamp. Some chemicals and abrasive products may scratch and damage the surfaces. Do not submerge the lamp or use overly wet cloths as it may cause damage to internal electrical components.



Purchase Date: _____
 Warranty Expiration Date: _____

Thank you for your purchase of EcoBrite™ LED Light Fixtures. Please keep the top portion of this page for your records and mail the bottom portion to the address provided to register your product.

WARRANTY INFORMATION

Innovative Lighting Inc. (ILC) Limited Product Warranty is FIVE (5) YEARS from date of purchase on EcoBrite™ LED Light Fixtures and their components. Any product developing such defect in material or workmanship within this period will be repaired or replaced with a like product, at our option (ILC) providing it is sent to us, transportation charges prepaid. Proof-of-Purchase date must accompany return to ILC at our Roland, Iowa facility. ILC does not warrant contractor’s installation work or performance.

This warranty is void if the product warranted has been damaged by accident or unreasonable use, neglect, improper installation or service, or other cause not arising out of defects in material or workmanship.

This FIVE (5) YEAR limited product warranty is not transferable and applies to the original installation of the EcoBrite™ LED Lighting System for as long as the original purchaser owns them.

SHIPPING DAMAGE

EcoBrite™ LED Light Fixtures should be examined for shipping damage upon receipt. These fixtures have been carefully inspected before shipment. Any claim for loss or damage must be made to the carrier. The carrier will provide any necessary inspection reports and/or claim forms.

PRODUCT REGISTRATION

PRODUCT INFORMATION

EcoBrite™ LED Light Fixture Model: _____
 EcoBrite™ LED Light Fixture Date Code: _____
 Date of Purchase: _____
 Number of units purchased: _____

OWNER INFORMATION

Name: _____
 Company: _____
 Address: _____
 City: _____
 State: _____ Zip: _____
 Phone: _____
 Fax: _____
 E-mail: _____

Mail to: Innovative Lighting, Inc., P.O. Box 366, Roland, Iowa 50236