



NAV-Docking lights provide both navigational signaling and docking assistance in a single, compact, and versatile light engine.



## Product Details

### Intended Use

The NAV-Docking Lights are for use in power driven vessels under 20m (65.6') in length. The housing incorporates a port (red) or starboard (green) navigation light along with a docking light (white).

### Construction Materials

Transparent UV/impact resistant polycarbonate lens  
Fully potted for optimum water resistance

### Certifications

Meets ABYC C-5 Standard  
USCG Certified 2nm Sidelights  
NMMA Type Accepted

### Ratings

Underwater (IP67). Corrosion resistant. Shock and vibration proof.

### Warranty

NAV-Docking LED lights come with a one-year limited warranty for parts manufactured and furnished by Innovative Lighting, LLC. Standard terms and conditions apply.

### Installation

Quick and easy installation utilizing the alignment and mounting bracket that supports a screwless, stainless steel cover.



## Product Details (Continued)

### Mechanical

Dimensions: 3.60" W x 0.75" H x 2.50" D

Three 7" long 18AWG, AWM 1230 tinned copper leads

### Electrical System

Lumileds LEDs

Voltage: 10V to 32V DC

Current:

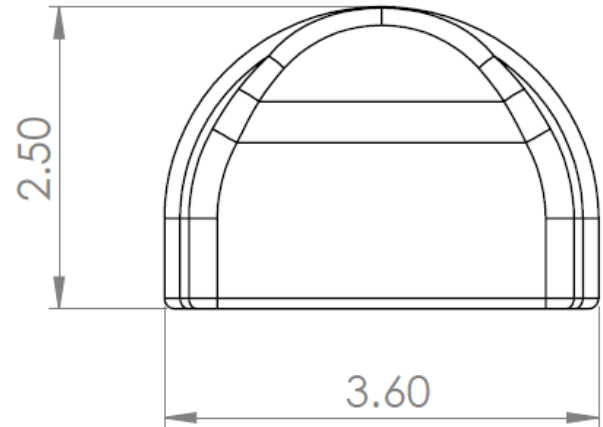
Green: 40mA typical at 12VDC

Red: 60mA typical at 12VDC

White: 215mA typical at 12VDC

Recommended fusing: 0.5A

Docking Light Output: ~200lm

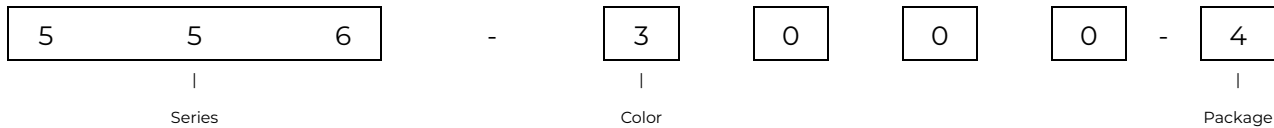


### Patent

Pending

## ORDERING INFORMATION

NAV-Docking Light (example: 556-3000-4)



#### COLOR

3 = Green

4 = Red

#### PACKAGE

1 = Bulk

4 = Kit

7 = Packaged

## Accessories & Alternatives

Part Number	Color	Description
556-3000-1	Green LED	NAV-Docking Light Engine
556-4000-1	Red LED	NAV-Docking Light Engine
556-9900-4	Silver	Deck Mount SS Cover w/ Mounting Hardware
556-9901-4	Silver	1" Rub Rail SS Cover w/ Mounting Hardware
556-9902-4	Silver	¾" Rub Rail SS Cover w/ Mounting Hardware